

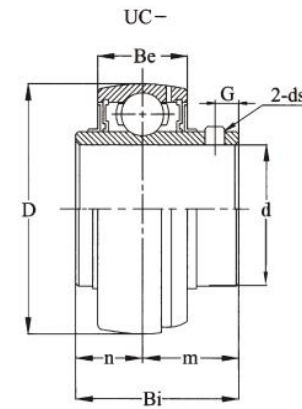


INSERT BEARING



INSERT BEARING

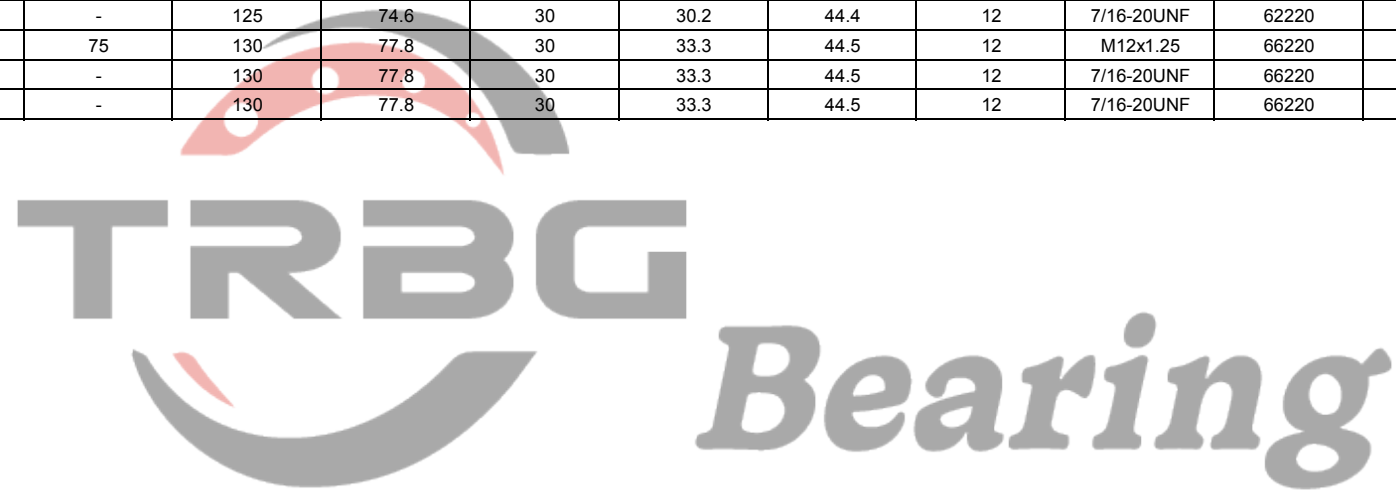
# INSERT BEARING



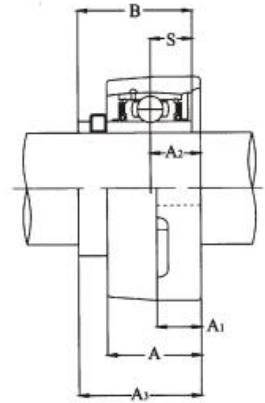
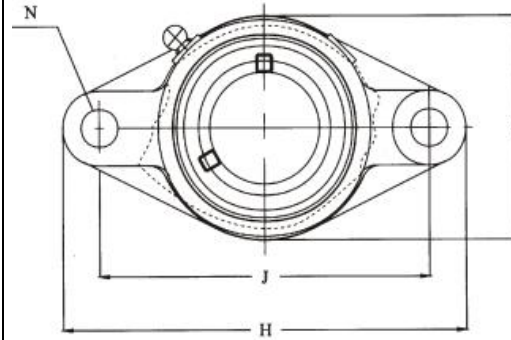
Bearing No.	Shaft Dia		Boundary dimensions(mm)							Basic load ratings		Mass(Kg)
	in.	mm	D	Bi	Be	n	m	G	ds	C	Co	-
UC201	-	12	47	31	16	12.7	18.3	5	M6x1.0	12890	6490	0.21
UC201-8	1/2	-	47	31	16	12.7	18.3	5	1/4-28UNF	12890	6490	0.21
UC202	-	15	47	31	16	12.7	18.3	5	M6x1.0	12890	6490	0.2
UC202-10	5/8	-	47	31	16	12.7	18.3	5	1/4-28UNF	12890	6490	0.19
UC203	-	17	47	31	16	12.7	18.3	5	M6x1.0	12890	6490	0.18
UC204	-	20	47	31	16	12.7	18.3	5	M6x1.0	12890	6490	0.17
UC204-12	3/4	-	47	31	16	12.7	18.3	5	1/4-28UNF	12890	6490	0.18
UC205	-	25	52	34	17	14.3	19.7	5.5	M6x1.0	14000	7560	0.2
UC205-14	7/8	-	52	34	17	14.3	19.7	5.5	1/4-28UNF	14000	7560	0.23
UC205-15	15/16	-	52	34	17	14.3	19.7	5.5	1/4-28UNF	14000	7560	0.21
UC205-16	1	-	52	34	17	14.3	19.7	5.5	1/4-28UNF	14000	7560	0.2
UC206	-	30	62	38.1	19	15.9	22.2	6	M6x1.0	19510	11160	0.33
UC206-17	1-1/16	-	62	38.1	19	15.9	22.2	6	1/4-28UNF	19510	11160	0.37
UC206-18	1-1/8	-	62	38.1	19	15.9	22.2	6	1/4-28UNF	19510	11160	0.35
UC206-19	1-3/16	-	62	38.1	19	15.9	22.2	6	1/4-28UNF	19510	11160	0.33
UC206-20	1-1/4	-	62	38.1	19	15.9	22.2	6	1/4-28UNF	19510	11160	0.3
UC207	-	35	72	42.9	20	17.5	25.4	6.5	M8x1.0	25640	15330	0.4
UC207-20	1-1/4	-	72	42.9	20	17.5	25.4	6.5	5-16/24UNF	25640	15330	0.55
UC207-21	1-5/16	-	72	42.9	20	17.5	25.4	6.5	5-16/24UNF	25640	15330	0.52
UC207-22	1-3/8	-	72	42.9	20	17.5	25.4	6.5	5-16/24UNF	25640	15330	0.49
UC207-23	1-7/16	-	72	42.9	20	17.5	25.4	6.5	5-16/24UNF	25640	15330	0.46
UC208	-	40	80	49.2	21	19	30.2	8	M8x1.0	28890	17110	0.65

# INSERT BEARING

UC208-24	1-1/2	-	80	49.2	21	19	30.2	8	5-16/24UNF	28890	17110	0.69
UC208-25	1-9/16	-	80	49.2	21	19	30.2	8	5-16/24UNF	28890	17110	0.67
UC209	-	45	85	49.2	22	19	30.2	8	M8x1.0	32670	18220	0.7
UC209-26	1-5/8	-	85	49.2	22	19	30.2	8	5-16/24UNF	32670	18220	0.8
UC209-27	1-11/16	-	85	49.2	22	19	30.2	8	5-16/24UNF	32670	18220	0.76
UC209-28	1-3/4	-	85	49.2	22	19	30.2	8	5-16/24UNF	32670	18220	0.71
UC210	-	50	90	51.6	24	19	32.6	9	M10x1.25	35110	20840	0.8
UC210-30	1-7/8	-	90	51.6	24	19	32.6	9	3/8-24UNF	35110	20840	0.87
UC210-31	1-15/16	-	90	51.6	24	19	32.6	9	3/8-24UNF	35110	20840	0.82
UC210-32	2	-	90	51.6	24	19	32.6	9	3/8-24UNF	35110	20840	0.77
UC211	-	55	100	55.6	25	22.2	33.4	9	M10x1.25	43330	26000	1.08
UC211-32	2	-	100	55.6	25	22.2	33.4	9	3/8-24UNF	43330	26000	1.23
UC211-34	2-1/8	-	100	55.6	25	22.2	33.4	9	3/8-24UNF	43330	26000	1.18
UC211-35	2-3/16	-	100	55.6	25	22.2	33.4	9	3/8-24UNF	43330	26000	1.06
UC212	-	60	110	65.1	27	25.4	39.7	10.5	M10x1.25	51110	36000	1.53
UC212-36	2-1/4	-	110	65.1	27	25.4	39.7	10.5	3/8-24UNF	51110	36000	1.66
UC212-38	2-3/8	-	110	65.1	27	25.4	39.7	10.5	3/8-24UNF	51110	36000	1.51
UC212-39	2-7/16	-	110	65.1	27	25.4	39.7	10.5	3/8-24UNF	51110	36000	1.44
UC213	-	65	120	65.1	28	25.4	39.7	12	M10x1.25	56890	39560	1.85
UC213-40	2-1/2	-	120	65.1	28	25.4	39.7	12	3/8-24UNF	56890	39560	1.94
UC214	-	70	125	74.6	30	30.2	44.4	12	M12x1.25	62220	44000	2.1
UC214-43	2-11/16	-	125	74.6	30	30.2	44.4	12	7/16-20UNF	62220	44000	2.2
UC214-44	2-3/4	-	125	74.6	30	30.2	44.4	12	7/16-20UNF	62220	44000	2.11
UC215	-	75	130	77.8	30	33.3	44.5	12	M12x1.25	66220	48890	2.35
UC215-47	2-15/16	-	130	77.8	30	33.3	44.5	12	7/16-20UNF	66220	48890	2.39
UC215-48	3	-	130	77.8	30	33.3	44.5	12	7/16-20UNF	66220	48890	2.26



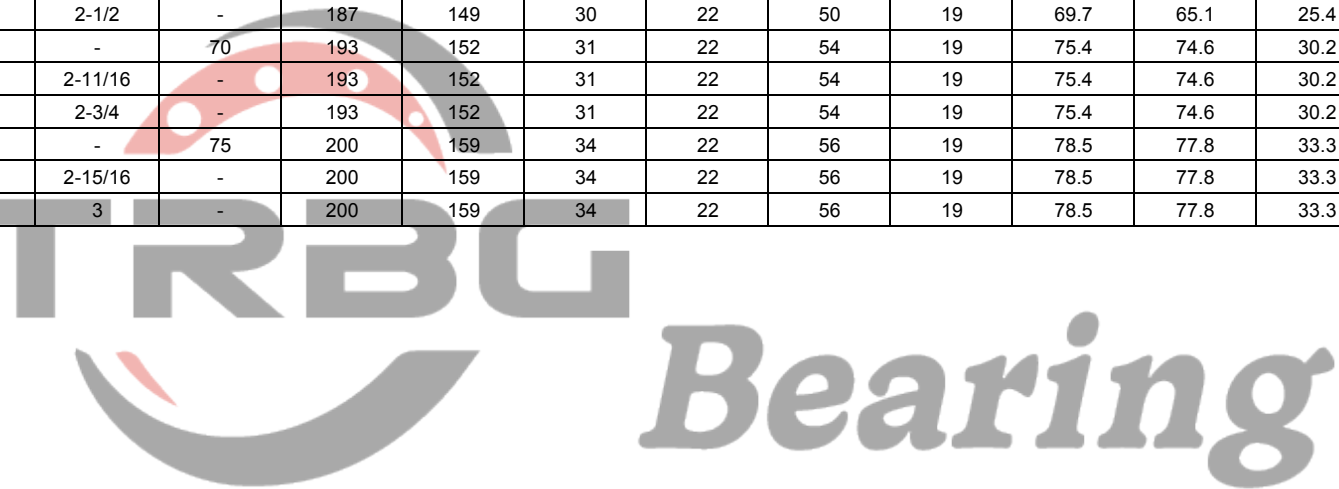
# INSERT BEARING



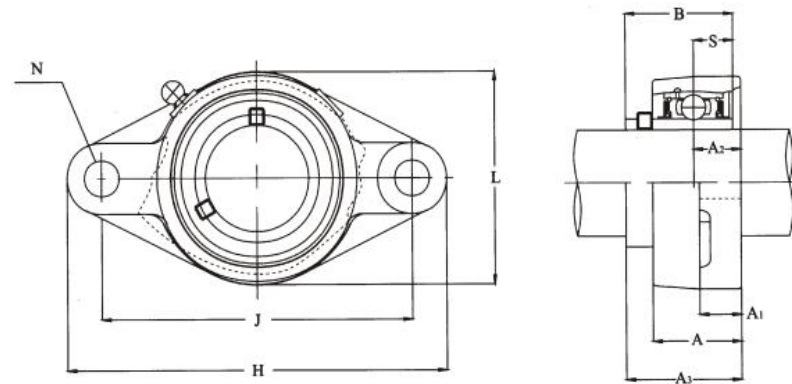
Unit No.	Bearing No.	Housing No.	Shaft Dia		Boundary Dimensions(mm)										Bolt Size	Mass(Kg)
			in.	mm	a	e	i	g	l	s	z	Bi	n			
UCF201-8	UC201-8	F204	1/2	-	86	63.5	15	11	25.4	12	33.3	31	12.7	3/8	0.7	
UCF202-10	UC202-10	F204	5/8	-	86	63.5	15	11	25.4	12	33.3	31	12.7	3/8	0.7	
UCF204	UC204	F204	-	20	86	63.5	15	11	25.4	12	33.3	31	12.7	M10	0.7	
UCF204-12	UC204-12	F204	3/4	-	86	63.5	15	11	25.4	12	33.3	31	12.7	3/8	0.7	
UCF205	UC205	F205	-	25	95	70	16	13	27	12	35.7	34	14.3	M10	0.8	
UCF205-14	UC205-14	F205	7/8	-	95	70	16	13	27	12	35.7	34	14.3	3/8	0.8	
UCF205-15	UC205-15	F205	15/16	-	95	70	16	13	27	12	35.7	34	14.3	3/8	0.8	
UCF205-16	UC205-16	F205	1	-	95	70	16	13	27	12	35.7	34	14.3	3/8	0.8	
UCF206	UC206	F206	-	30	108	83	18	13	31	12	40.2	38.1	15.9	M10	1	
UCF206-17	UC206-17	F206	1-1/16	-	108	83	18	13	31	12	40.2	38.1	15.9	3/8	1	
UCF206-18	UC206-18	F206	1-1/8	-	108	83	18	13	31	12	40.2	38.1	15.9	3/8	1	
UCF206-19	UC206-19	F206	1-3/16	-	108	83	18	13	31	12	40.2	38.1	15.9	3/8	1	
UCF206-20	UC206-20	F206	1-1/4	-	108	83	18	13	31	12	40.2	38.1	15.9	3/8	1	
UCF207	UC207	F207	-	35	117	92	19	15	34	14	44.4	42.9	17.5	M12	1.4	
UCF207-20	UC207-20	F207	1-1/4	-	117	92	19	15	34	14	44.4	42.9	17.5	7/16	1.4	
UCF207-21	UC207-21	F207	1-5/16	-	117	92	19	15	34	14	44.4	42.9	17.5	7/16	1.4	
UCF207-22	UC207-22	F207	1-3/8	-	117	92	19	15	34	14	44.4	42.9	17.5	7/16	1.4	
UCF207-23	UC207-23	F207	1-7/16	-	117	92	19	15	34	14	44.4	42.9	17.5	7/16	1.4	

# INSERT BEARING

UCF208	UC208	F208	-	40	130	102	21	15	36	16	51.2	49.2	19	M14	1.8
UCF208-24	UC208-24	F208	1-1/2	-	130	102	21	15	36	16	51.2	49.2	19	1/2	1.8
UCF208-25	UC208-25	F208	1-9/16	-	130	102	21	15	36	16	51.2	49.2	19	1/2	1.8
UCF209	UC209	F209	-	45	137	105	22	16	38	16	52.2	49.2	19	M14	2.2
UCF209-26	UC209-26	F209	1-5/8	-	137	105	22	16	38	16	52.2	49.2	19	1/2	2.2
UCF209-27	UC209-27	F209	1-11/16	-	137	105	22	16	38	16	52.2	49.2	19	1/2	2.2
UCF209-28	UC209-28	F209	1-3/4	-	137	105	22	16	38	16	52.2	49.2	19	1/2	2.2
UCF210	UC210	F210	-	50	143	111	22	16	40	16	54.6	51.6	19	M14	2.4
UCF210-30	UC210-30	F210	1-7/8	-	143	111	22	16	40	16	54.6	51.6	19	1/2	2.4
UCF210-31	UC210-31	F210	1-15/16	-	143	111	22	16	40	16	54.6	51.6	19	1/2	2.4
UCF210-32	UC210-32	F210	2	-	143	111	22	16	40	16	54.6	51.6	19	1/2	2.4
UCF211	UC211	F211	-	55	162	130	25	18	43	19	58.4	55.6	22.2	M16	3.6
UCF211-32	UC211-32	F211	2	-	162	130	25	18	43	19	58.4	55.6	22.2	5/8	3.6
UCF211-34	UC211-34	F211	2-1/8	-	162	130	25	18	43	19	58.4	55.6	22.2	5/8	3.6
UCF211-35	UC211-35	F211	2-3/16	-	162	130	25	18	43	19	58.4	55.6	22.2	5/8	3.6
UCF212	UC212	F212	-	60	175	143	29	18	48	19	68.7	65.1	25.4	M16	4.4
UCF212-36	UC212-36	F212	2-1/4	-	175	143	29	18	48	19	68.7	65.1	25.4	5/8	4.4
UCF212-38	UC212-38	F212	2-3/8	-	175	143	29	18	48	19	68.7	65.1	25.4	5/8	4.4
UCF212-39	UC212-39	F212	2-7/16	-	175	143	29	18	48	19	68.7	65.1	25.4	5/8	4.4
UCF213	UC213	F213	-	65	187	149	30	22	50	19	69.7	65.1	25.4	M16	5.5
UCF213-40	UC213-40	F213	2-1/2	-	187	149	30	22	50	19	69.7	65.1	25.4	5/8	5.5
UCF214	UC214	F214	-	70	193	152	31	22	54	19	75.4	74.6	30.2	M16	6.1
UCF214-43	UC214-43	F214	2-11/16	-	193	152	31	22	54	19	75.4	74.6	30.2	5/8	6.1
UCF214-44	UC214-44	F214	2-3/4	-	193	152	31	22	54	19	75.4	74.6	30.2	5/8	6.1
UCF215	UC215	F215	-	75	200	159	34	22	56	19	78.5	77.8	33.3	M16	6.9
UCF215-47	UC215-47	F215	2-15/16	-	200	159	34	22	56	19	78.5	77.8	33.3	5/8	6.9
UCF215-48	UC215-48	F215	3	-	200	159	34	22	56	19	78.5	77.8	33.3	5/8	6.9



# INSERT BEARING



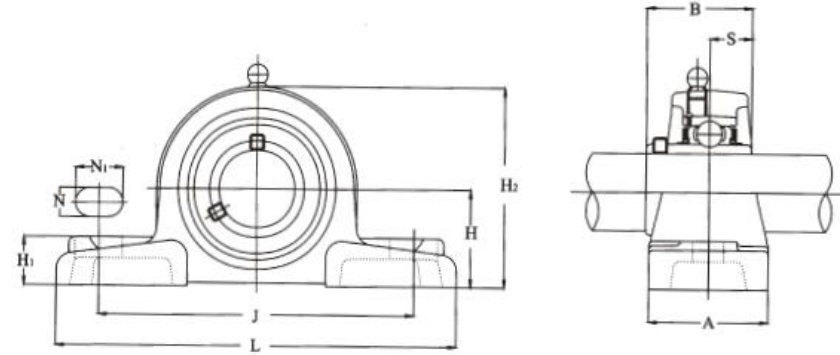
Unit No.	Bearing No.	Housing No.	Shaft Dia		Boundary Dimensions(mm)										Bolt Size	Mass(Kg)
			in.	mm	a	e	i	g	l	s	b	z	Bi	n		
UCFL201-8	UC201-8	FL204	1/2	-	113	90	15	11	25.5	12	60	33.3	31	12.7	3/8	0.5
UCFL202-10	UC202-10	FL204	5/8	-	113	90	15	11	25.5	12	60	33.3	31	12.7	3/8	0.5
UCFL204	UC204	FL204	-	20	113	90	15	11	25.5	12	60	33.3	31	12.7	M10	0.5
UCFL204-12	UC204-12	FL204	3/4	-	113	90	15	11	25.5	12	60	33.3	31	12.7	3/8	0.5
UCFL205	UC205	FL205	-	25	130	99	16	13	27	16	68	35.7	34	14.3	M14	0.6
UCFL205-14	UC205-14	FL205	7/8	-	130	99	16	13	27	16	68	35.7	34	14.3	1/2	0.6
UCFL205-15	UC205-15	FL205	15/16	-	130	99	16	13	27	16	68	35.7	34	14.3	1/2	0.6
UCFL205-16	UC205-16	FL205	1	-	130	99	16	13	27	16	68	35.7	34	14.3	1/2	0.6
UCFL206	UC206	FL206	-	30	148	117	18	13	31	16	80	40.2	38.1	15.9	M14	0.9
UCFL206-17	UC206-17	FL206	1-1/16	-	148	117	18	13	31	16	80	40.2	38.1	15.9	1/2	0.9
UCFL206-18	UC206-18	FL206	1-1/8	-	148	117	18	13	31	16	80	40.2	38.1	15.9	1/2	0.9
UCFL206-19	UC206-19	FL206	1-3/16	-	148	117	18	13	31	16	80	40.2	38.1	15.9	1/2	0.9
UCFL206-20	UC206-20	FL206	1-1/4	-	148	117	18	13	31	16	80	40.2	38.1	15.9	1/2	0.9
UCFL207	UC207	FL207	-	35	161	130	19	15	34	16	90	44.4	42.9	17.5	M14	1.2
UCFL207-20	UC207-20	FL207	1-1/4	-	161	130	19	15	34	16	90	44.4	42.9	17.5	1/2	1.2
UCFL207-21	UC207-21	FL207	1-5/16	-	161	130	19	15	34	16	90	44.4	42.9	17.5	1/2	1.2
UCFL207-22	UC207-22	FL207	1-3/8	-	161	130	19	15	34	16	90	44.4	42.9	17.5	1/2	1.2
UCFL207-23	UC207-23	FL207	1-7/16	-	161	130	19	15	34	16	90	44.4	42.9	17.5	1/2	1.2
UCFL208	UC208	FL208	-	40	175	144	21	15	36	16	100	51.2	49.2	19	M14	1.6
UCFL208-24	UC208-24	FL208	1-1/2	-	175	144	21	15	36	16	100	51.2	49.2	19	1/2	1.6
UCFL208-25	UC208-25	FL208	1-9/16	-	175	144	21	15	36	16	100	51.2	49.2	19	1/2	1.6

# INSERT BEARING

UCFL209	UC209	FL209	-	45	188	148	22	16	38	19	108	52.2	49.2	19	M16	1.9
UCFL209-26	UC209-26	FL209	1-5/8	-	188	148	22	16	38	19	108	52.2	49.2	19	5/8	1.9
UCFL209-27	UC209-27	FL209	1-11/16	-	188	148	22	16	38	19	108	52.2	49.2	19	5/8	1.9
UCFL209-28	UC209-28	FL209	1-3/4	-	188	148	22	16	38	19	108	52.2	49.2	19	5/8	1.9
UCFL210	UC210	FL210	-	50	197	157	22	16	40	19	116	54.6	51.6	19	M16	2.2
UCFL210-30	UC210-30	FL210	1-7/8	-	197	157	22	16	40	19	116	54.6	51.6	19	5/8	2.2
UCFL210-31	UC210-31	FL210	1-15/16	-	197	157	22	16	40	19	116	54.6	51.6	19	5/8	2.2
UCFL210-32	UC210-32	FL210	2	-	197	157	22	16	40	19	116	54.6	51.6	19	5/8	2.2
UCFL211	UC211	FL211	-	55	224	184	25	18	43	19	130	58.4	55.6	22.2	M16	3.1
UCFL211-32	UC211-32	FL211	2	-	224	184	25	18	43	19	130	58.4	55.6	22.2	5/8	3.1
UCFL211-34	UC211-34	FL211	2-1/8	-	224	184	25	18	43	19	130	58.4	55.6	22.2	5/8	3.1
UCFL211-35	UC211-35	FL211	2-3/16	-	224	184	25	18	43	19	130	58.4	55.6	22.2	5/8	3.1
UCFL212	UC212	FL212	-	60	250	202	29	18	48	23	140	68.7	65.1	25.4	M20	4
UCFL212-36	UC212-36	FL212	2-1/4	-	250	202	29	18	48	23	140	68.7	65.1	25.4	3/4	4
UCFL212-38	UC212-38	FL212	2-3/8	-	250	202	29	18	48	23	140	68.7	65.1	25.4	3/4	4
UCFL212-39	UC212-39	FL212	2-7/16	-	250	202	29	18	48	23	140	68.7	65.1	25.4	3/4	4
UCFL213	UC213	FL213	-	65	258	210	30	20	50	23	155	69.7	65.1	25.4	M20	5
UCFL213-40	UC213-40	FL213	2-1/2	-	258	210	30	20	50	23	155	69.7	65.1	25.4	3/4	5
UCFL214	UC214	FL214	-	70	265	216	31	20	54	23	160	75.4	74.6	30.2	M20	5.6
UCFL214-43	UC214-43	FL214	2-11/16	-	265	216	31	20	54	23	160	75.4	74.6	30.2	3/4	5.6
UCFL214-44	UC214-44	FL214	2-3/4	-	265	216	31	20	54	23	160	75.4	74.6	30.2	3/4	5.6
UCFL215	UC215	FL215	-	75	275	225	34	20	56	23	165	78.5	77.8	33.3	M20	6.2
UCFL215-47	UC215-47	FL215	2-15/16	-	275	225	34	20	56	23	165	78.5	77.8	33.3	3/4	6.2
UCFL215-48	UC215-48	FL215	3	-	275	225	34	20	56	23	165	78.5	77.8	33.3	3/4	6.2



# INSERT BEARING

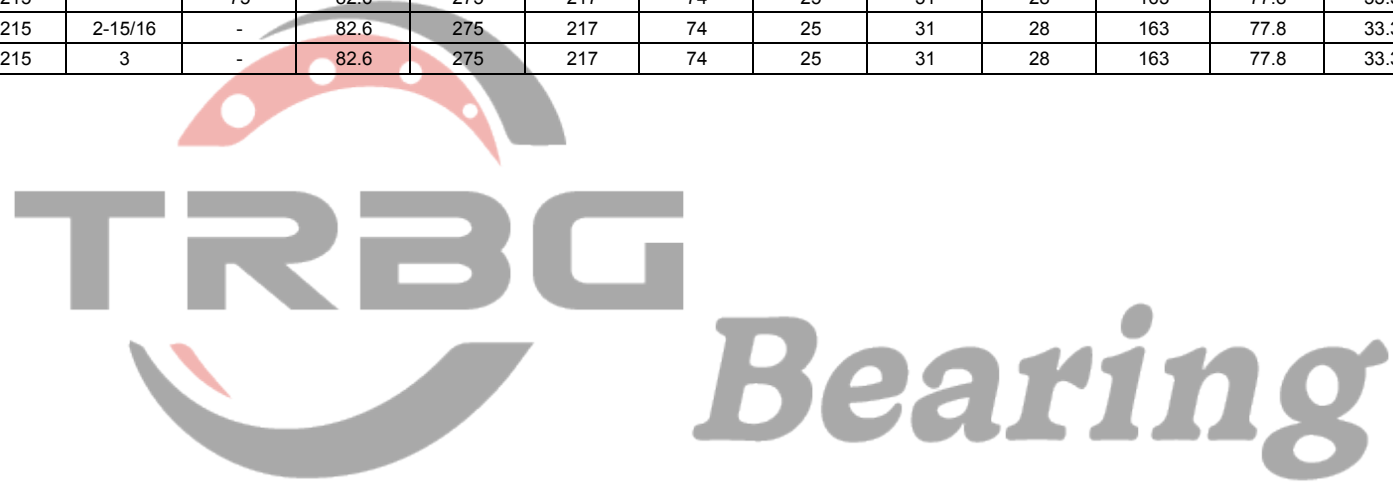


Unit No.	Bearing No.	Housing No.	Shaft Dia		Boundary dimensions(mm)										Bolt Size	Mass(Kg)
			in.	mm	h	a	e	b	s1	s2	g	w	Bi	n		
UCP201-8	UC201-8	P204	1/2	-	33.3	127	95	38	13	16	15	65	31	12.7	3/8	0.8
UCP202-10	UC202-10	P204	5/8	-	33.3	127	95	38	13	16	15	65	31	12.7	3/8	0.8
UCP204	UC204	P204	-	20	33.3	127	95	38	13	16	15	65	31	12.7	M10	0.8
UCP204-12	UC204-12	P204	3/4	-	33.3	127	95	38	13	16	15	65	31	12.7	3/8	0.8
UCP205	UC205	P205	-	25	36.6	140	105	38	13	16	16	70	34	14.3	M10	1
UCP205-14	UC205-14	P205	7/8	-	36.6	140	105	38	13	16	16	70	34	14.3	3/8	1
UCP205-15	UC205-15	P205	15/16	-	36.6	140	105	38	13	16	16	70	34	14.3	3/8	1
UCP205-16	UC205-16	P205	1	-	36.6	140	105	38	13	16	16	70	34	14.3	3/8	1
UCP206	UC206	P206	-	30	42.9	165	121	48	17	21	18	83	38.1	15.9	M14	1.6
UCP206-17	UC206-17	P206	1-1/16	-	42.9	165	121	48	17	21	18	83	38.1	15.9	1/2	1.6
UCP206-18	UC206-18	P206	1-1/8	-	42.9	165	121	48	17	21	18	83	38.1	15.9	1/2	1.6
UCP206-19	UC206-19	P206	1-3/16	-	42.9	165	121	48	17	21	18	83	38.1	15.9	1/2	1.6
UCP206-20	UC206-20	P206	1-1/4	-	42.9	165	121	48	17	21	18	83	38.1	15.9	1/2	1.6
UCP207	UC207	P207	-	35	47.6	167	127	48	17	21	19	94	42.9	17.5	M14	2.1
UCP207-20	UC207-20	P207	1-1/4	-	47.6	167	127	48	17	21	19	94	42.9	17.5	1/2	2.1
UCP207-21	UC207-21	P207	1-5/16	-	47.6	167	127	48	17	21	19	94	42.9	17.5	1/2	2.1
UCP207-22	UC207-22	P207	1-3/8	-	47.6	167	127	48	17	21	19	94	42.9	17.5	1/2	2.1
UCP207-23	UC207-23	P207	1-7/16	-	47.6	167	127	48	17	21	19	94	42.9	17.5	1/2	2.1
UCP208	UC208	P208	-	40	49.2	184	137	54	17	25	19	100	49.2	19	M14	2.6
UCP208-24	UC208-24	P208	1-1/2	-	49.2	184	137	54	17	25	19	100	49.2	19	1/2	2.6
UCP208-25	UC208-25	P208	1-9/16	-	49.2	184	137	54	17	25	19	100	49.2	19	1/2	2.6

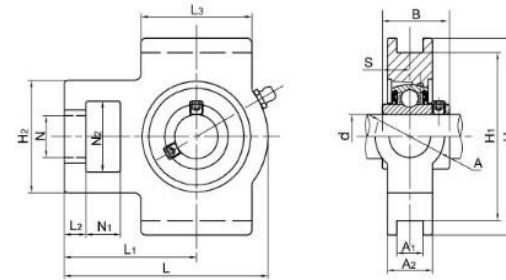


# INSERT BEARING

<b>UCP209</b>	UC209	P209	-	45	54	190	146	54	17	25	20	108	49.2	19	M14	3
<b>UCP209-26</b>	UC209-26	P209	1-5/8	-	54	190	146	54	17	25	20	108	49.2	19	1/2	3
<b>UCP209-27</b>	UC209-27	P209	1-11/16	-	54	190	146	54	17	25	20	108	49.2	19	1/2	3
<b>UCP209-28</b>	UC209-28	P209	1-3/4	-	54	190	146	54	17	25	20	108	49.2	19	1/2	3
<b>UCP210</b>	UC210	P210	-	50	57.2	206	159	60	20	25	22	114	51.6	19	M16	3.6
<b>UCP210-30</b>	UC210-30	P210	1-7/8	-	57.2	206	159	60	20	25	22	114	51.6	19	5/8	3.6
<b>UCP210-31</b>	UC210-31	P210	1-15/16	-	57.2	206	159	60	20	25	22	114	51.6	19	5/8	3.6
<b>UCP210-32</b>	UC210-32	P210	2	-	57.2	206	159	60	20	25	22	114	51.6	19	5/8	3.6
<b>UCP211</b>	UC211	P211	-	55	63.5	219	171	60	20	25	22	126	55.6	22.2	M16	4.4
<b>UCP211-32</b>	UC211-32	P211	2	-	63.5	219	171	60	20	25	22	126	55.6	22.2	5/8	4.4
<b>UCP211-34</b>	UC211-34	P211	2-1/8	-	63.5	219	171	60	20	25	22	126	55.6	22.2	5/8	4.4
<b>UCP211-35</b>	UC211-35	P211	2-3/16	-	63.5	219	171	60	20	25	22	126	55.6	22.2	5/8	4.4
<b>UCP212</b>	UC212	P212	-	60	69.8	241	184	70	20	25	25	138	65.1	25.4	M16	6.2
<b>UCP212-36</b>	UC212-36	P212	2-1/4	-	69.8	241	184	70	20	25	25	138	65.1	25.4	5/8	6.2
<b>UCP212-38</b>	UC212-38	P212	2-3/8	-	69.8	241	184	70	20	25	25	138	65.1	25.4	5/8	6.2
<b>UCP212-39</b>	UC212-39	P212	2-7/16	-	69.8	241	184	70	20	25	25	138	65.1	25.4	5/8	6.2
<b>UCP213</b>	UC213	P213	-	65	76.2	265	203	70	25	29	27	150	65.1	25.4	M20	7
<b>UCP213-40</b>	UC213-40	P213	2-1/2	-	76.2	265	203	70	25	29	27	150	65.1	25.4	3/4	7
<b>UCP214</b>	UC214	P214	-	70	79.4	266	210	72	25	31	27	156	74.6	30.2	M20	7.6
<b>UCP214-43</b>	UC214-43	P214	2-11/16	-	79.4	266	210	72	25	31	27	156	74.6	30.2	3/4	7.6
<b>UCP214-44</b>	UC214-44	P214	2-3/4	-	79.4	266	210	72	25	31	27	156	74.6	30.2	3/4	7.6
<b>UCP215</b>	UC215	P215	-	75	82.6	275	217	74	25	31	28	163	77.8	33.3	M20	8.5
<b>UCP215-47</b>	UC215-47	P215	2-15/16	-	82.6	275	217	74	25	31	28	163	77.8	33.3	3/4	8.5
<b>UCP215</b>	UC215-48	P215	3	-	82.6	275	217	74	25	31	28	163	77.8	33.3	3/4	8.5



# INSERT BEARING



Unit No.	Bearing No.	Housing No.	Shaft Dia		Boundary dimensions(mm)																Mass(Kg)
			in.	mm	o	g	p	q	s	b	k	e	a	w	l	j	r	h	Bi	n	
UCT201-8	UC201-8	T204	1/2	-	16	10	51	32	19	51	12	76.2	89	94	21	32	33	61	31	12.7	0.77
UCT202-10	UC202-10	T204	5/8	-	16	10	51	32	19	51	12	76.2	89	94	21	32	33	61	31	12.7	0.77
UCT204	UC204	T204	-	20	16	10	51	32	19	51	12	76.2	89	94	21	32	33	61	31	12.7	0.77
UCT204-12	UC204-12	T204	3/4	-	16	10	51	32	19	51	12	76.2	89	94	21	32	33	61	31	12.7	0.77
UCT205	UC205	T205	-	25	16	10	51	32	19	51	12	76.2	89	97	24	32	35	62	34	14.3	0.86
UCT205-14	UC205-14	T205	7/8	-	16	10	51	32	19	51	12	76.2	89	97	24	32	35	62	34	14.3	0.86
UCT205-15	UC205-15	T205	15/16	-	16	10	51	32	19	51	12	76.2	89	97	24	32	35	62	34	14.3	0.86
UCT205-16	UC205-16	T205	1	-	16	10	51	32	19	51	12	76.2	89	97	24	32	35	62	34	14.3	0.86
UCT206	UC206	T206	-	30	16	10	56	37	22	57	12	89	102	113	28	37	43	70	38.1	15.9	1.32
UCT206-17	UC206-17	T206	1-1/16	-	16	10	56	37	22	57	12	89	102	113	28	37	43	70	38.1	15.9	1.32
UCT206-18	UC206-18	T206	1-1/8	-	16	10	56	37	22	57	12	89	102	113	28	37	43	70	38.1	15.9	1.32
UCT206-19	UC206-19	T206	1-3/16	-	16	10	56	37	22	57	12	89	102	113	28	37	43	70	38.1	15.9	1.32
UCT206-20	UC206-20	T206	1-1/4	-	16	10	56	37	22	57	12	89	102	113	28	37	43	70	38.1	15.9	1.32
UCT207	UC207	T207	-	35	16	13	64	37	22	64	12	89	102	129	30	37	51	78	42.9	17.5	1.59
UCT207-20	UC207-20	T207	1-1/4	-	16	13	64	37	22	64	12	89	102	129	30	37	51	78	42.9	17.5	1.59
UCT207-21	UC207-21	T207	1-5/16	-	16	13	64	37	22	64	12	89	102	129	30	37	51	78	42.9	17.5	1.59
UCT207-22	UC207-22	T207	1-3/8	-	16	13	64	37	22	64	12	89	102	129	30	37	51	78	42.9	17.5	1.59
UCT207-23	UC207-23	T207	1-7/16	-	16	13	64	37	22	64	12	89	102	129	30	37	51	78	42.9	17.5	1.59
UCT208	UC208	T208	-	40	19	16	83	49	29	83	16	102	114	144	33	49	56	88	49.2	19	2.3
UCT208-24	UC208-24	T208	1-1/2	-	19	16	83	49	29	83	16	102	114	144	33	49	56	88	49.2	19	2.3
UCT208-25	UC208-25	T208	1-9/16	-	19	16	83	49	29	83	16	102	114	144	33	49	56	88	49.2	19	2.3
UCT209	UC209	T209	-	45	19	16	83	49	29	83	16	102	117	145	35	49	57	88	49.2	19	2.5
UCT209-26	UC209-26	T209	1-5/8	-	19	16	83	49	29	83	16	102	117	145	35	49	57	88	49.2	19	2.5
UCT209-27	UC209-27	T209	1-11/16	-	19	16	83	49	29	83	16	102	117	145	35	49	57	88	49.2	19	2.5
UCT209-28	UC209-28	T209	1-3/4	-	19	16	83	49	29	83	16	102	117	145	35	49	57	88	49.2	19	2.5
UCT210	UC210	T210	-	50	19	16	83	49	29	86	16	102	117	151	37	49	59	92	51.6	19	2.6
UCT210-30	UC210-30	T210	1-7/8	-	19	16	83	49	29	86	16	102	117	151	37	49	59	92	51.6	19	2.6
UCT210-31	UC210-31	T210	1-15/16	-	19	16	83	49	29	86	16	102	117	151	37	49	59	92	51.6	19	2.6
UCT210-32	UC210-32	T210	2	-	19	16	83	49	29	86	16	102	117	151	37	49	59	92	51.6	19	2.6

# INSERT BEARING

UCT211	UC211	T211	-	55	25	19	102	64	35	95	22	130	146	171	38	64	65	106	55.6	22.2	4.1
UCT211-32	UC211-32	T211	2	-	25	19	102	64	35	95	22	130	146	171	38	64	65	106	55.6	22.2	4.1
UCT211-34	UC211-34	T211	2-1/8	-	25	19	102	64	35	95	22	130	146	171	38	64	65	106	55.6	22.2	4.1
UCT211-35	UC211-35	T211	2-3/16	-	25	19	102	64	35	95	22	130	146	171	38	64	65	106	55.6	22.2	4.1
UCT212	UC212	T212	-	60	32	19	102	64	35	102	22	130	146	194	42	64	75	119	65.1	25.4	4.8
UCT212-36	UC212-36	T212	2-1/4	-	32	19	102	64	35	102	22	130	146	194	42	64	75	119	65.1	25.4	4.8
UCT212-38	UC212-38	T212	2-3/8	-	32	19	102	64	35	102	22	130	146	194	42	64	75	119	65.1	25.4	4.8
UCT212-39	UC212-39	T212	2-7/16	-	32	19	102	64	35	102	22	130	146	194	42	64	75	119	65.1	25.4	4.8
UCT213	UC213	T213	-	65	32	21	111	70	41	121	26	151	167	224	44	70	87	137	65.1	25.4	6.8
UCT213-40	UC213-40	T213	2-1/2	-	32	21	111	70	41	121	26	151	167	224	44	70	87	137	65.1	25.4	6.8
UCT214	UC214	T214	-	70	32	21	111	70	41	121	26	151	167	224	46	70	87	137	74.6	30.2	7
UCT214-43	UC214-43	T214	2-11/16	-	32	21	111	70	41	121	26	151	167	224	46	70	87	137	74.6	30.2	7
UCT214-44	UC214-44	T214	2-3/4	-	32	21	111	70	41	121	26	151	167	224	46	70	87	137	74.6	30.2	7
UCT215	UC215	T215	-	75	32	21	111	70	41	121	26	151	167	232	46	70	92	140	77.8	33.3	7.8
UCT215-47	UC215-47	T215	2-15/16	-	32	21	111	70	41	121	26	151	167	232	46	70	92	140	77.8	33.3	7.8
UCT215-48	UC215-48	T215	3	-	32	21	111	70	41	121	26	151	167	232	46	70	92	140	77.8	33.3	7.8

